

FITTING INSTRUCTIONS FOR CABLE TRANSFER BAR

1/ MEASURE THE WIDTH OF THE DOOR TO WORK OUT WHAT SIZE BAR IS REQUIRED, THERE ARE THREE TYPES 650mm - 750mm and 850mm.

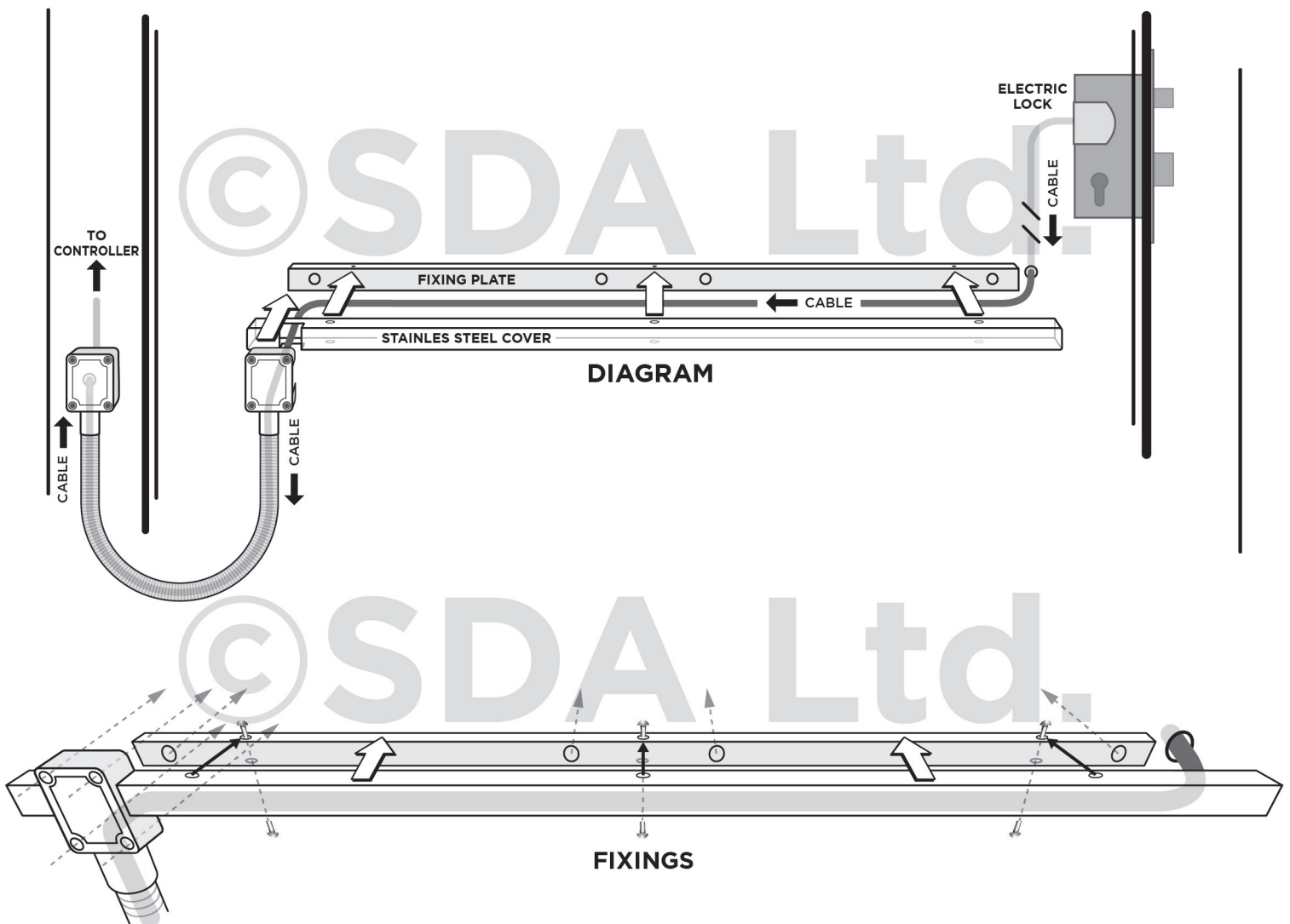
2/ FIT ELECTRIC LOCK.

3/ LINE UP FIXING BAR ON THE DOOR SO THE CABLE CAN RUN INTO THE BACK OF THE ELECTRIC LOCK.

4/ RUN CABLE OUT OF THE DOOR BEHIND THE LOCK AND FEED IT UNDER THE SATINLESS STEEL COVER PLATE.

5/ FIX THE COVER PLATE AND RUN THE CABLE INTO THE DOOR LOOP.

6/ ATTACH THE DOOR LOCK AND CONNECT CABLE TO THE ACCESS CONTROLLER.



PART NUMBERS WHEN ORDERING A CABLE TRANSFER BAR:

CTB650 = 650mm

CTB750 = 750mm

CTB850 = 850mm